

NG 464 TR

NG 464 TR-E

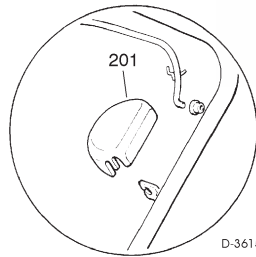
DAS ORIGINAL

**CHASSIS
MANICO
COMANDI
DOTAZIONE VITERIE**

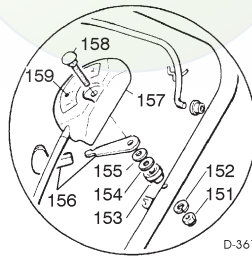
**DECK
HANDLE
CONTROLS
SCREWS OUTFITS**

**CHÂSSIS
MANCHERON
COMMANDES
DOTATION VISSERIE**

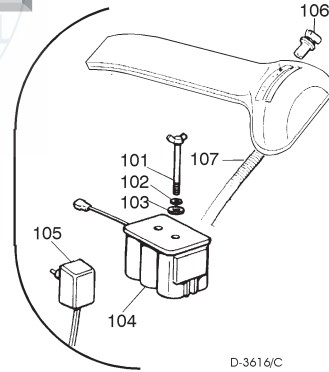
**GEHÄUSE
HOLM
BETÄTIGUNGEN
SCRAUBENSATZ**



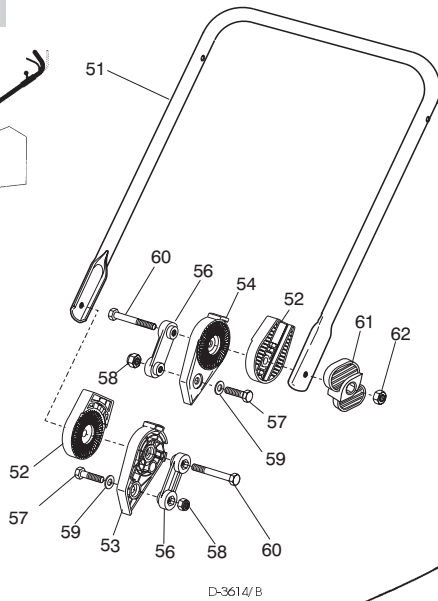
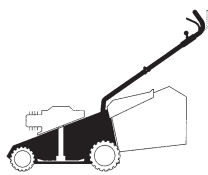
D-3615/E



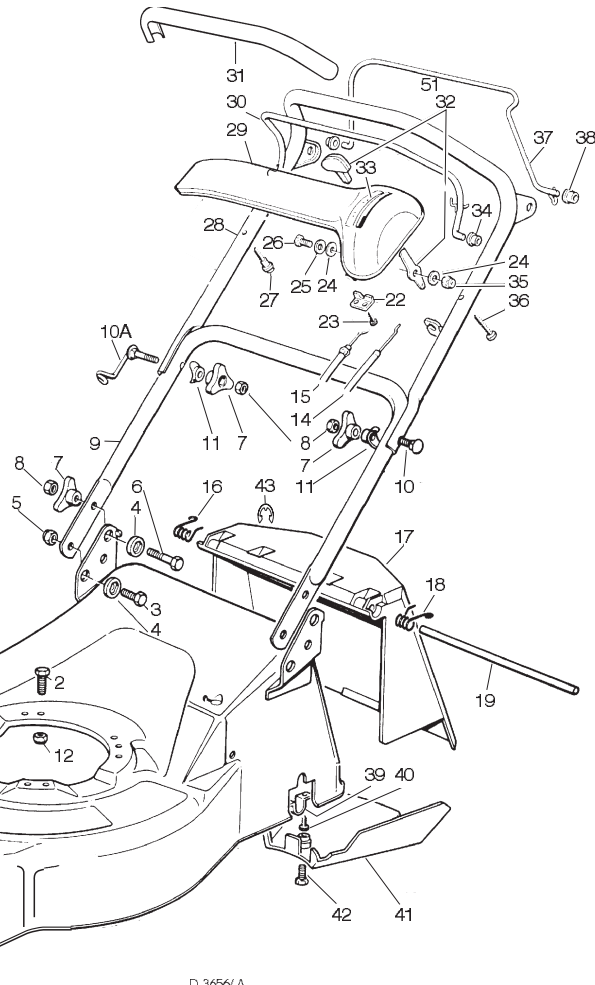
D-3615/D



D-3614/C



D-3614/B



D-3656/A

SPARE PARTS CATALOGUE

ERSATZTEILKATALOG

GB

D

**CATALOGO DELLE PARTI
DI RICAMBIO**

**CATALOGUE DES PIÈCES
DE RECHANGE**

I

F

T-3656/A

Pos. Nr.	Codice Code Kodex	Q.tà Q.ty-Q.tè Menge	Descrizione	Description	Description	Beschreibung
1			CHASSIS	DECK	CHÂSSIS	GEHÄUSE
—	81001624/0	1	ROSSO	RED	ROUGE	ROTES
—	81001625/0	1	GIALLO	YELLOW	JAUNE	GELBES
—	81001626/0	1	VERDE	GREEN	VERT	GRÜNES
2			VITE	SCREW	VIS	SCHRAUBE
—	12793700/0	3/2	(M8x30)	(M8x30)	(M8x30)	(M8x30)
—	12691800/0	0/1	(M8x60)	(M8x60)	(M8x60)	(M8x60)
3	12792610/0	2	VITE	SCREW	VIS	SCHRAUBE
4	22041955/0	4	BUSSOLA	BUSH	DOUILLE	BUCHSE
5	12155000/0	2	DADO	NUT	ECROU	MUTTER
6	12793700/0	2	VITE	SCREW	VIS	SCHRAUBE
7	22399900/0	4	MANOPOLINA	KNOB	POIGNÉE	GRIF
8	12293200/0	4	DADO	NUT	ECROU	MUTTER
9	81006512/0	1	PORTE INF. MANICO	LOWER HANDLE	PARTIE INF. MANCHERON	UNTERHOLM
10	12819201/0	1	VITE	SCREW	VIS	SCHRAUBE
10A	81003801/0	1	MOLLA GUIDA	SPRING	RESSORT	FEDER
11	22680006/1	2	RONDELLA	WASHER	RONDELLE	SCHIBE
12	12293201/0	3/2	DADO	NUT	ECROU	MUTTER
—	12155000/0	0/1	DADO	NUT	ECROU	MUTTER
14	81007160/0	1	CAVO ACCELERATORE	THROTTLE CABLE	CABLE ACCELERATEUR	BESCHLEUNIGER KABEL





Pos. Nr.	Codice Code Kodex	Q.tà Q.ty-Q.tè Menge	Descrizione	Description	Description	Beschreibung
15	81000623/0	1	CAVO FRENO MOTORE (TECUMSEH)	THREAD MOTOR BRAKE (TECUMSEH)	CABLE FREIN MOTEUR (TECUMSEH)	MOTORBREMSEKABEL (TECUMSEH)
—	81000631/0	1	(QUANTUM XM)	(QUANTUM XM)	(QUANTUM XM)	(QUANTUM XM)
—	81000625/0	1	(SPRINT 375/ QUATTRO)	(SPRINT 375/ QUATTRO)	(SPRINT 375/ QUATTRO)	(SPRINT 375/ QUATTRO)
16	22450410/1	1	MOLLA DX	RIGHT SPRING	RESSORT DROITE	RECHTE FEDER
17	22600028/4	1	PARASASSI	STONE-GUARD	PARE-PIERRES	PRALLBLECH
18	22450420/1	1	MOLLA SX	LEFT SPRING	RESSORT GAUCHE	LINKE FEDER
19	22517906/1	1	PERNO	PIN	PIVOT	BOLZEN
22	22981467/0	1	PIASTRINA	PLAQUE	PLAQUETTE	PLATTE
23	12735105/0	2	VITE	SCREW	VIS	SCHRAUBE
24	12523040/0	2	RONDELLA	WASHER	RONDELLE	SCHIBE
25	12530060/0	1	RONDELLA ELASTICA	SPRING WASHER	RONDELLE ELASTIQUE	ELASTISCHE SCHEIBE
26	12791500/0	1	VITE	SCREW	VIS	SCHRAUBE
27	22943006/0	1	VITE	SCREW	VIS	SCHRAUBE
28	81007018/0	1	PARTE SUP. MANICO CRUSCOTTO	UPPER HANDLE DASH BOARD	PARTIE SUP. MANCHERON CONSOLE	OBERHOLM KONSOLE
—	22120154/0	1	ROSSO	RED	ROUGE	ROTE
—	22120152/0	1	GIALLO	YELLOW	JAUNE	GELBE
—	22120158/0	1	NERO	BLACK	NOIRE	SCHWARZE
30	81003291/2	1	LEVA FRENO MOTORE	BRAKE LEVER	LEVIER FREIN MOTEUR	MOTORBREMSEHEBEL
31	22291050/0	1	IMPUGNATURA MANICO	HANDGRIP	POIGNÉE	HANDGRIFF
—	22291051/0	1	ROSSA	RED	ROUGE	RÖTER
—	22291052/0	1	GIALLA	YELLOW	JAUNE	GELBER
32	81007280/2	1	ASS. LEVA + MANOPOLINA	LEVER + KNOB ASS. Y	ENS. LEVIER + POIGNÉE	HEBEL + GRIFF SATZ
33	14356743/0	1	ETICHETTA (TECUMSEH-HONDA)	LABEL (TECUMSEH-HONDA)	ETIQUETTE (TECUMSEH-HONDA)	ETIKETTE (TECUMSEH-HONDA)
—	14356744/0	1	(B&S)	(B&S)	(B&S)	(B&S)
34	22041966/0	1	BOCCOLA	BUSH	DOUILLE	BUCHSE
35	12154510/0	1	DADO	NUT	ECROU	MUTTER
36	12728460/0	1	VITE	SCREW	VIS	SCHRAUBE
37	81003288/1	1	LEVA TRAZIONE	DRIVING LEVER	LEVIER TRACTION	ANTRIEBHEBEL
38	22041965/0	2	BOCCOLA	BUSH	DOUILLE	BUCHSE
39	22545152/0	2	PIASTRINA	PLAQUE	PLAQUETTE	PLATTE
40	12731350/0	4	VITE	SCREW	VIS	SCHRAUBE
41	22060145/0	1	CARTER CINGHIA	BELT PROTECTION	PROTECTION COURROIRE	RIEMENSCHUTZ
42	12727791/0	1	VITE	SCREW	VIS	SCHRAUBE
43	12000930/0	1	ANELLO ELASTICO	SNAP RING	ANNEAU RESSORT	SPRENGRING
—	81008614/1	1	DOTAZIONE VITERIA	SCREWS OUTFIT	DOTATION VISSERIE	SCHRAUBEN SATZ
—	81008609/0	1	DOTAZIONE CRUSCOTTO	DASH-BOARD OUTFIT	DOTATION CONSOLE	KONSOLE SATZ

VARIANTE REGOLAZIONE MANICO	HANDLE ADJUSTMENT VARIANT	VARIANTE REGLAGE POIGNEE	GRIFFEINSTELLVARIANTE
-----------------------------	---------------------------	--------------------------	-----------------------

T-3615/ B

51	81008510/0	1	PARTE INFR. MANICO	LOWER HANDLE	PARTIE INF. MANCHERON	UNTERHOLM
52	22785081/0	2	SUPPORTO ESTERNO	EXTERNAL SUPPORT	SUPPORT EXTERNE	AUßERE HALTERUNG
53	22785082/0	1	SUPPORTO INTERNO DX	R. INTERNAL SUPPORT	SUPPORT INTERNE DROIT	INNERE HALTERUNG RECHTS
54	22785083/1	1	SUPPORTO INTERNO SX	L. INTERNAL SUPPORT	SUPPORT INTERNE GAUCHE	INNERE HALTERUNG LINKS
56	22551575/0	2	PIASTRINA INTERNA	INSIDE PLAQUE	PLAQUETTE INTERNE	INNERE PLATTE
57	12793701/0	2	VITE	SCREW	VIS	SCHRAUBE
58	12155000/0	2	DADO	NUT	ECROU	MUTTER
59	12521350/0	2	RONDELLA	WASHER	RONDELLE	SCHIBE
60	12691810/0	2	VITE	SCREW	VIS	SCHRAUBE
61	22399803/0	2	MANOPOLINA	KNOB	POIGNÉE	GRIFF
62	12293202/0	2	DADO	NUT	ECROU	MUTTER
—	81008623/0	1	DOTAZ. VITERIA	SCREWS OUTFIT	DOTATION VISSERIE	SCHRAUBEN SATZ

VARIANTI PER AVVIAMENTO ELETTRICO	PARTS FOR ELECTRIC START	COMPOSANTS POUR DÉMARRAGE ÉLECTRIQUE	ELEKTROSTART BESTANDTEILE
-----------------------------------	--------------------------	--------------------------------------	---------------------------

T-3615/ C

101	22517855/0	2	PERNO	PIN	PIVOT	BOLZEN
102	12523000/0	2	RONDELLA	WASHER	RONDELLE	SCHIBE
103	12540020/0	2	RONDELLA	WASHER	RONDELLE	SCHIBE
104	18120050/0	1	BATTERIA	BATTERY	BATTERIE	BATTERIE
105	18204110/0	1	CARICA BATTERIA	BATTERY CHARGER	CHARGEUR DE BATTERIE	LADGERÄT
106	18450050/0	1	INTERRUTTORE	SWITCH	INTERRUPTEUR	SCHALTER
107	18204190/2	1	CAVO AVVIAMENTO	START CABLE	CABLE DÉMARRAGE	STARTKABEL

VARIANTE ACCELERATORE	THROTTLE VARIANTS	VARIANTES COMMANDE D'ACCELERATION	ÄNDERUNGEN AUF GASHEBEL
-----------------------	-------------------	-----------------------------------	-------------------------

T-3615/ D

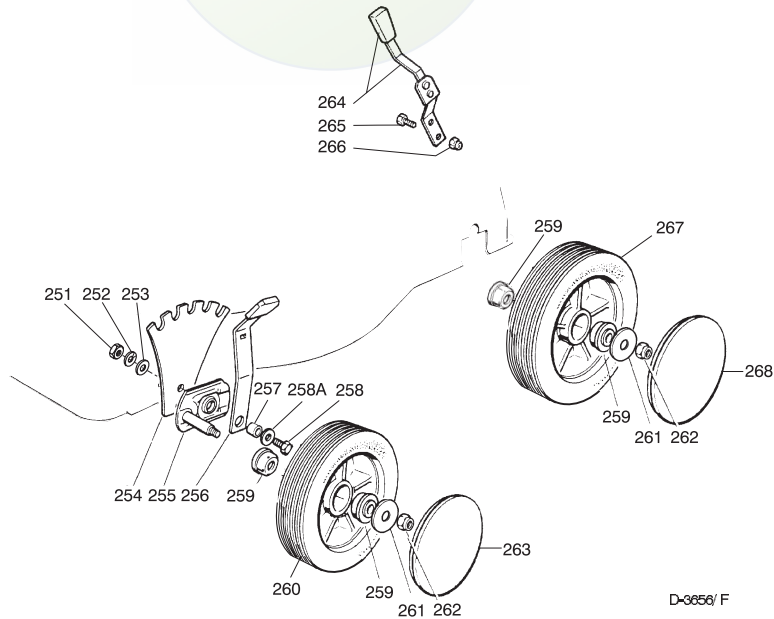
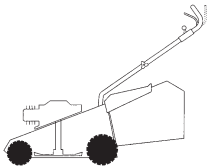
151	12291000/0	1	DADO	NUT	ECROU	MUTTER
152	12581500/0	1	GROWER	GROWER	GROWER	FEDERRING
153	22171005/0	1	DISTANZIALE	SPACER	ENTRETOISE	DISTANZRING
154	12521360/0	1	RONDELLA	WASHER	RONDELLE	SCHIBE
155	12508100/0	1	RONDELLA ELASTICA	SPRING WASHER	RONDELLE ELASTIQUE	ELASTISCHE SCHEIBE
156	81007279/1	1	ASS. LEVA+MANOPOLINA	LEVER+KNOB ASS.Y	ENS. LEVIER+POIGNEE	HEBEL+GRIFF SATZ
157	81007080/0	1	ASSIEME ACCELERATORE	TROTTLE UNIT ASS.Y	ENS. ACCELERATEUR	BESCHLEUNIGER SATZ
158	12815000/0	1	VITE	SCREW	VIS	SCHRAUBE
159	14356702/0	1	ETICHETTA (TECUMSEH-HONDA)	LABEL (TECUMSEH-HONDA)	ETIQUETTE (TECUMSEH-HONDA)	ETIKETTE (TECUMSEH-HONDA)
—	14356703/0	1	(B&S)	(B&S)	(B&S)	(B&S)





Pos. Nr.	Codice Code Kodex	Q.tà Q.ty-Q.tè Menge	Descrizione	Description	Description	Beschreibung
			VARIANTE REGIME FISSO	FIXED SPEED VARIANTS	VARIANTES POUR MODÈLE À REGIME FIXE	ÄNDERUNGEN FÜR MODELLE MIT FIXIERTER DREHZAHL
201	22601000/0		PROTEZIONE	PROTECTION	PROTECTION	SCHUTZ

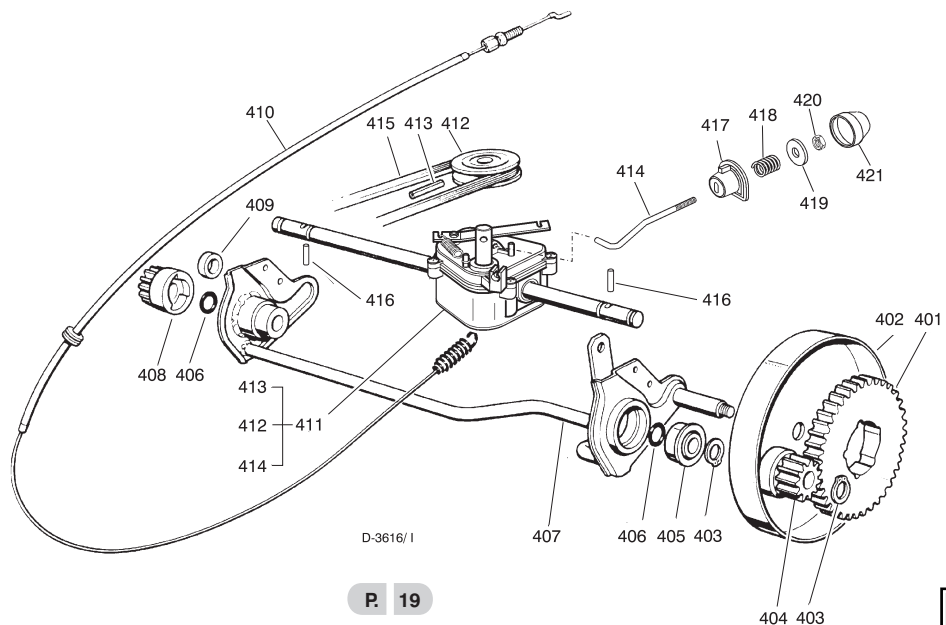
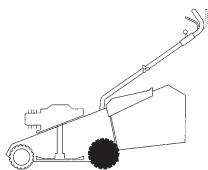
T-3615/ E

RUOTE E REGOLAZIONE**WHEELS AND HEIGHT ADJUSTING****ROUES ET REGLAGE HAUTER DE COUPE****RÄDER UND SCHNITTHÖHETVERSTELLUNG**

D-3656/ F

T-3656/ F

251	12293200/0	2	DADO	NUT	ECROU	MUTTER
252	12583500/0	2	GROWER	GROWER	GROWER	FEDERRING
253	12523070/0	2	RONDELLA	WASHER	RONDELLE	SCHEIBE
254	22735537/0	2	SETTORE REGOLAZIONE	ADJUSTMENT SECTOR	SECTEUR REGLAGE	VERSTELLUNGSEKTOR
255	81005082/0	2	SUPP. RUOTA	WHEEL SUPPORT	SUPPORT ROUE	RADHALTER
256	81003273/0	2	LEVA REGOLAZIONE	ADJUSTMENT LEVER	LEVIER REGLAGE	VERSTELLUNGHEBEL
257	22171001/0	2	DISTANZIALE	SPACER	ENTRETOISE	DISTANZRING
258	12793701/0	2	VITE	SCREW	VIS	SCHRAUBE
258A	12521350/0	2	RONDELLA	WASHER	RONDELLE	SCHEIBE
259	22034508/0	8	BOCCOLA	BUSH	DOUILLE	BUCHSE
260	81007326/0	4	RUOTA Ø 170	WHEEL Ø 170	ROUE Ø 170	RAD Ø 170
261	12523060/0	4	RONDELLA	WASHER	RONDELLE	SCHEIBE
262	12155000/0	4	DADO	NUT	ECROU	MUTTER
263	☛		COPRIMOZZO	HUB CAP	COUVRE-MOYEU	RADKAPPE
—	22110262/0	2	BIANCO	WHITE	BLANC	WEIßE
—	22110263/0	2	GIALLO	YELLOW	JAUNE	GELBE
—	22110264/0	2	ROSSO	RED	ROUGE	ROTE
264	81003279/2	1	LEVA REGOLAZIONE	ADJUSTMENT LEVER	LEVIER REGLAGE	VERSTELLUNGHEBEL
265	12789000/0	2	VITE	SCREW	VIS	SCHRAUBE
266	12154330/0	2	DADO	NUT	ECROU	MUTTER
267	81007328/0	2	RUOTA Ø 210	WHEEL Ø 210	ROUE Ø 210	RAD Ø 210
268	☛		COPRIMOZZO	HUB CAP	COUVRE-MOYEU	RADKAPPE
—	22110265/0	2	BIANCO	WHITE	BLANC	WEIßE
—	22110266/0	2	GIALLO	YELLOW	JAUNE	GELBE
—	22110267/0	2	ROSSO	RED	ROUGE	ROTE

GRUPPO TRAZIONE**REAR DRIVE****GROUPE TRACTION****ANTRIEB**

D-3616/ I

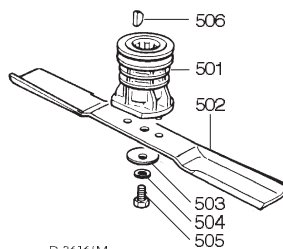
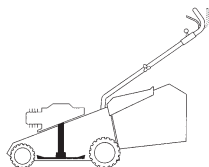




T-3616/I

Pos. Nr.	Codice Code Kodex	Q.tà Q.ty-Q.tè Menge	Descrizione	Description	Description	Beschreibung
401	22120105/ 1	2	CORONA	RING GEAR	COURONNE	KRANZ
402	81006846/ 0	2	PROTEZIONE RUOTE	WHEEL GUARD	PROTECTION ROUE	RÄDEFSCHUTZ
403	12608600/ 0	4	SEEGER	SEEGER	SEEGER	SEEGER
404	22570120/ 0	1	PIGNONE SINISTRO	LEFT PINION	PIGNON GAUCHE	LINKES RITZEL
405	22122200/ 0	2	CUSCINETTO	BEARING	COUSSINET	LAGER
406	12019900/ 0	2	ANELLO OR	OR RING	BAGUE OR	RING OR
407	81001252/ 1	1	ASSE RUOTE POSTERIORE	REAR WHEELS AXLE	AXE ROUES ARRIERE	HINTERRADACHSE
408	22570110/ 0	1	PIGNONE DESTRO	RIGHT PINION	PIGNON DROITE	RECHTES RITZEL
409	22170800/ 0	1	DISTANZIALE	SPACER	ENTRETOISE	DISTANZRING
410	81001143/ 0	1	ASS. COMANDO TRAZIONE	REAR DRIVE ASS.Y	ENS. COMMANDE TRACTION	ANTRIEBKABEL
411	81003059/ 0	1	ASS. GRUPPO TRAZIONE (PLASTICA)	GEAR BOX ASS.Y (PLASTIC)	ENS. GROUPE TRACTION (PLASTIQUE)	ANTRIEBSATZ (KUNSTSTOFF)
—	81003060/ 0	1	(ALLUMINIO)	(ALUMINIUM)	(ALUMINIUM)	(ALUMINIUM)
412	22601904/ 0	1	PULEGGIA 4 KM/ H	PULLEY 4 KM/ H	POULIE 4 KM/ H	RIEMENSCHLEIBE 4 KM/ H
413	12645705/ 0	1	SPINA	PIN	GOUPILLE	STIFT
414	22033280/ 0	1	ASTA REGOLAZIONE	ADJUSTMENT ROD	TIGE REGLAGE	VERSTELLUNGSTANGE
415	35063800/ 0	1	CINGHIA Z 27	BELT Z 27	COUROIE Z 27	RIEMEN Z 27
416	22753000/ 0	2	SPINA	PIN	GOUPILLE	STIFT
417	22041957/ 0	1	BUSSOLA	BUSH	DOUILLE	BUCHSE
418	22450063/ 0	1	MOLLA	SPRING	RESSORT	FEDER
419	22680009/ 0	1	RONDELLA	WASHER	RONDELLE	SCHEIBE
420	12154510/ 0	1	DADO	NUT	ECROU	MUTTER
421	22110230/ 0	1	TAPPO	CAP	BOUCHON	GUMMISTOPFEN

- GRUPPO COLTELLO**
- BLADE ASS.Y**
- GROUPE LAME**
- MESSERSATZ**

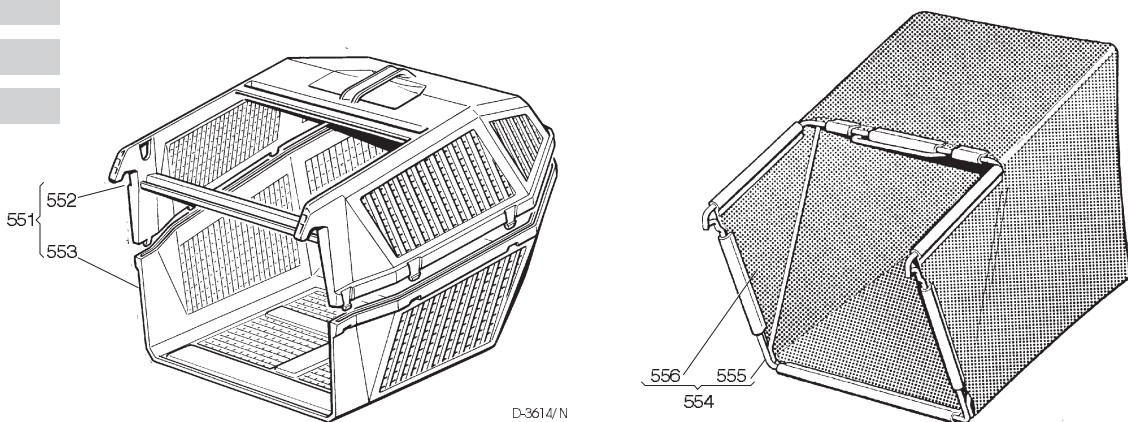
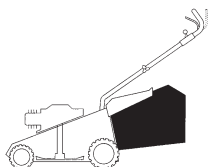


D-3616/M

T-3616/M

501	22465607/ 0	1	MOZZO CON PULEGGIA	HUB WITH PULLEY	MOYEU AVEC POULIE	NABE MIT SCHEIBE
502	81004365/ 1	1	COLTELLO STANDARD	STANDARD BLADE	LAME STANDARD	STANDARD MESSER
503	22160400/ 0	1	RONDELLA ELASTICA	SPRING WASHER	RONDELLE ELASTIQUE	ELASTISCHE SCHEIBE
504	12523080/ 0	1	RONDELLA	WASHER	RONDELLE	SCHEIBE
505	12735698/ 0	1	VITE	SCREW	VIS	SCHRAUBE
506	12139100/ 0	1	LINGUETTA	FEATHER	CLAVETTE	KEIL

- SACCO RACCOGLIERBA**
- GRASS-CATCHER**
- BAC DE RAMASSAGE**
- GRASFANGKORB**



D-3614/N

T-3614/N

551	98005000/ 1	1	SACCO COMPLETO	COMPLETE GRASS-BOX	SAC COMPLET	KOMPLETTER KORB
552	22486076/ 0	1	PORTE SUP. SACCO	UPPER GRASS BOX	PARTIE SUP. SAC	OBERKORB
553	22486077/ 0	1	PORTE INF. SACCO	LOWER GRASS BOX	PARTIE INF. SAC	UNTERKORB
554	98004000/ 0	1	ASS. SACCO IN TELA	CANVASS GRASSCATCHER	ENSEMBLE SAC EN TOILE	KOMPLETTER SACK
555	81006408/ 0	1	TELAIO	CHASSIS	CHÂSSIS	RAHMEN
556	81002105/ 2	1	TELA SACCO	FABRIC BOX	TOILE POUR SAC	TUCK FÜR SACK